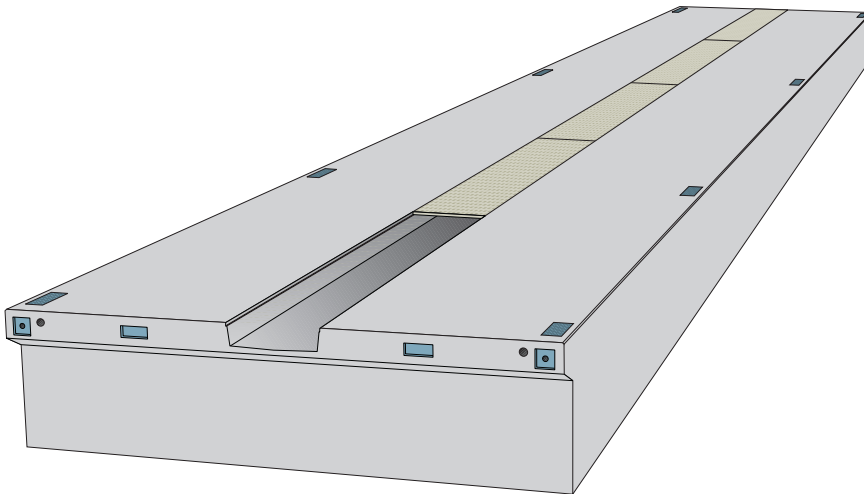


Concourse Pontoons 5000, 6000

The **Concourse Pontoons** are the largest products in the Marinetek Premium Range. With available widths of 5 and 6 meters the pontoons are designed to provide the main access pontoons for the largest marinas. The pontoons are extremely stable and are suitable also for public applications. The units can be provided with large top entry service channels to carry the full range of water, power, fuel, grey water and fire mains. The Concourse Pontoons can be moored either by piles, chain or Seaflex.



TECHNICAL DATA

Concrete strength: 45 N/mm² watertight, steel reinforced plastic fibre concrete. Exposure class according to European EN 206-1 standard.

Core: Expanded polystyrene, density 15 kg/m³

Reinforcement: Partly or fully hot dip galvanised or stainless steel

Optional accessories: Concrete coatings, wooden deck, fixing rails, cable ducts, service channels (1000x250 mm) and fenders (timber or plastic)

FLOATS	M5016CO	M5020CO	M6016CO	M6020CO
Length (m)	16,05	19,90	16,05	19,90
Concrete width (m)	5,0	5,0	6,0	6,0
Height (m)	1,2	1,2	1,2	1,2
Weight (t)	38,7-42,6	48,3-53,2	46,5-51,1	58,0-63,8
Net capacity (kN/m ²)	6,5-7,0	6,5-7,0	6,5-7,0	6,5-7,0
Freeboard (m)	0,65-0,70	0,65-0,70	0,65-0,70	0,65-0,7,0
Strength of joint (kN)	2x812	2x812	2x812	2x812
Joint gap (mm)	35	35	35	35

Exact unit weight and freeboard are subject to detailed specification of the unit, equipment and mooring methods.

Marinetek operates a policy of continuous development and reserves the right to change specifications without notice.

Revision date: 15.01.2008

MARINETEK GROUP

Vattuniemenkatu 3
FI-00210 Helsinki, Finland
WEB www.marinetek.net

TEL. +358 (0)9 682 4100
FAX +358 (0)9 682 41030
EMAIL info@marinetek.net

